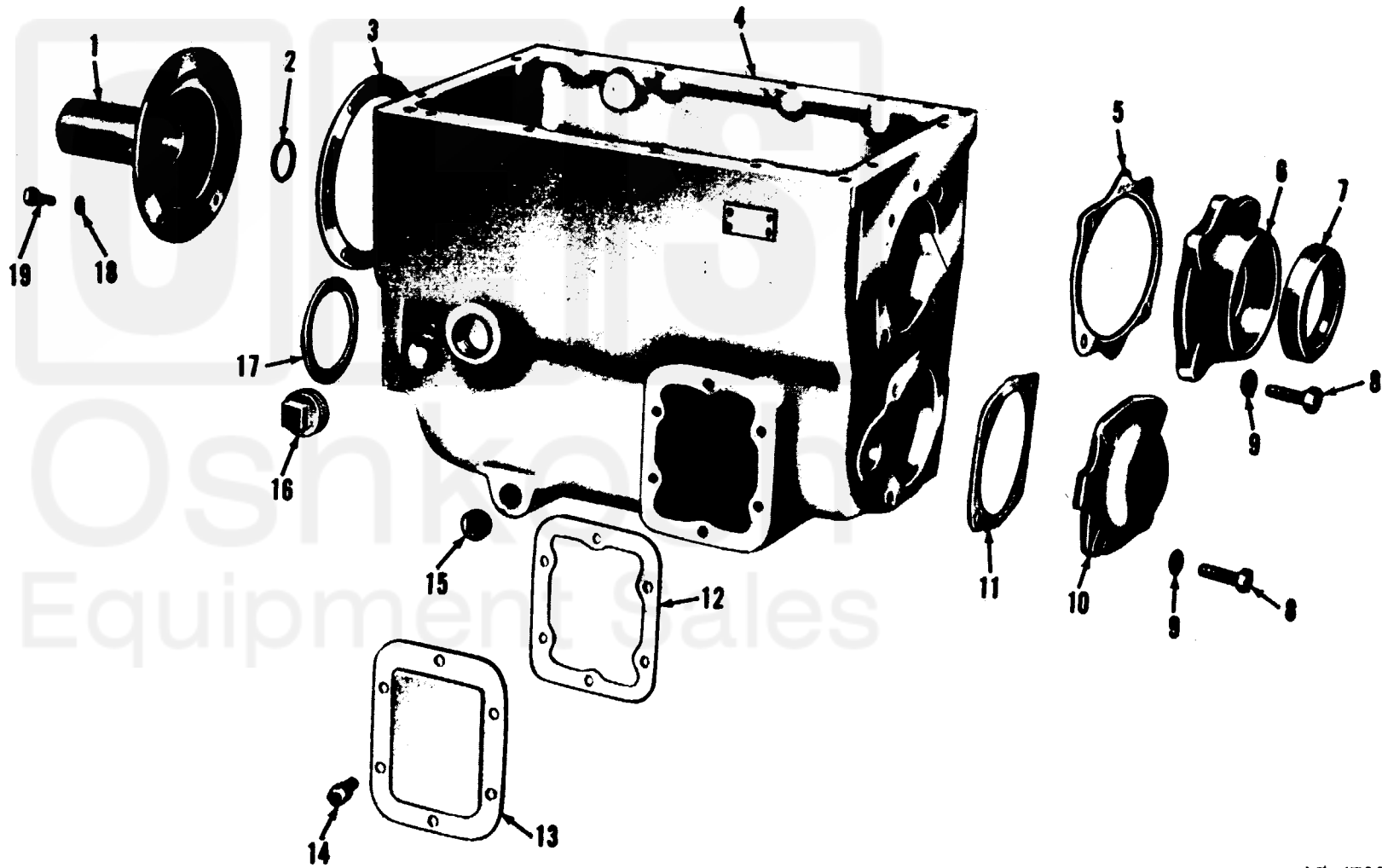


(1) SMR Code	(2) Federal Stock Number	(3) DESCRIPTION	(4) UNIT	(5) Qty	(6) 30-day DS maint	(7) 30-day GS maint	(8) 1-yr Depot	(9) Illustration	(10)	(11)	(12)	(13)	(14)		
			of meas	inc in	allowance	allowance	alw	maint	per	100	per	(a)	(b)		
			Unit				equip	100	per	Figure		Item			
					(a)	(b)	(c)	(a)	(b)	(c)	cnt-	equip	No.		
		Reference Number & Mfr. Code	Usable On Code		1-20	21-50	51-100	1-20	21-50	51-100	gcy		No.		
0700-TRANSMISSION ASSEMBLY-CONTINUED															
P-F	2520-040-2249	CASE: TRANSMISSION 7376161 (19207)	A	EA	1	*	*	*	*	*	*	2	5	42	4
P-F	2520-734-7591	GASKET: MAIN SHAFT REAR BEARING COVER (COMPONENT OF GASKET SET, FSN 2520-692-6183 7347591 (19207)	A	EA	1	*	*	*	*	*	*	10		42	5
P-F	2520-397-6542	CAP, MAINSHAFT, REAR: TRANSMISSION 8327036 (19207)	A	EA	1	*	*	*	*	*	*	2	5	42	6
P-F	5330-291-1654	SEAL, PLAIN ENCASED: REAR MAINSHIF CAP 100066R91 (31007)	A	EA	1	*	*	*	*	*	*	24	100	42	7
P-F	5305-042-6417	SCREW, CAP, HEXAGON: REAR MAINSHAFT CAP TO CASE MS90725-113 (96906)	A	EA	8	*	*	*	*	*	*	6	10	42	8
P-F	5310-584-5272	WASHER, LOCK: MAINSHAFT CAP TO CASE MS35338-48 (96906)	A	EA	8	*	*	*	*	*	*	6	10	42	9
P-F	2520-734-7713	COVER, ACCESS: COUNTERSHAFT REAR BEARING 7347713 (19207)	A	EA	1	*	*	*	*	*	*	2	5	42	10
P-F	2520-457-3453	GASKET: COUNTERSHAFT REAR BEARING COVER (COMPONENT OF GASKET SET, FSN 2520-692-6183 7347593 (19207)	A	EA	1	*	*	*	*	*	*	10		42	11
P-O	2520-447-3406	GASKET: CASE COVER (COMPONENT OF GASKET SET, FSN 2520-692-6183 5714787 (19207)	A	EA	2	*	*	*	*	*	*	20		42	12
P-O	2520-354-0771	COVER, ACCESS: CASE 5323473 (19207)	A	EA	2	*	*	*	*	*	*	2	5	42	13
P-O	5306-145-1069	BOLT SELF-LOCKING: ACCESS COVER 7748663 (19207)	A	EA	6	*	*	*	*	*	*	6	10	42	14
P-O	4730-278-3357	PLUG, PIPE: OIL DRAIN 103881 (31007)	A	EA	1	*	*	*	*	*	*	6	10	42	15
P-O	4730-737-5248	PLUG, PIPE: CASE 7375248 (19207)	A	EA	1	*	*	*	*	*	*	6	10	42	16
P-F	5330-532-9061	GASKET: COUNTERSHAFT FRONT BEARING (COMPONENT OF GASKET SET, FSN 2520-692-6183 8333624 (19207)	A	EA	1	*	*	*	*	*	*	10		42	17
P-F	5310-637-9541	WASHER, LOCK: MAINSHAFT COVER TO CASE MS35338-46 (96906)	A	EA	7	*	*	*	*	*	*	6	10	42	18
P-F	5305-269-3213	SCREW, CAP, HEXAGON: MAINSHAFT COVER TO CASE MS90725-62 (96906)	A	EA	7	*	*	*	*	*	*	6	10	42	19
P-F	5307-206-1485	STUD, PLAIN: MAIN SHAFT FRONT COVER 833626-2 (19207)	A	EA	6	*	*	*	*	*	*	6	10	N/I	



AT 47182

Figure 42. Transmission case and attaching parts.